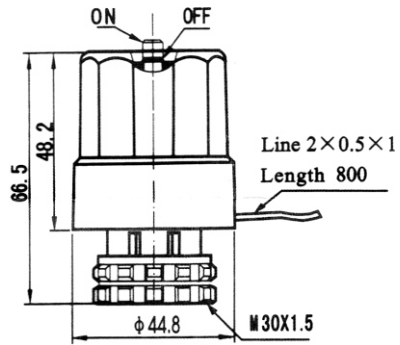


Electro thermal Actuator (DF-110E)

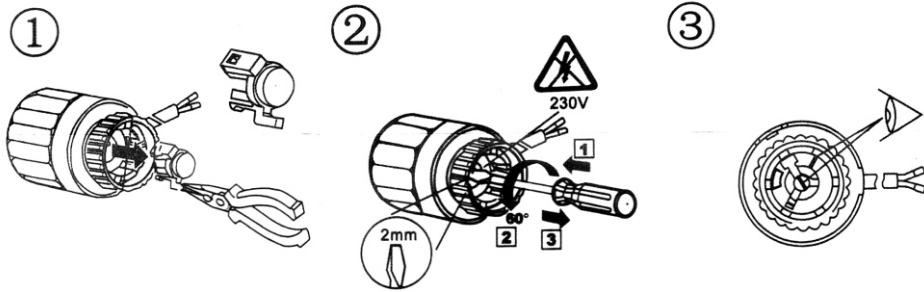
一、Installatinon and using:



The product shown is normally close. When power are given, the position will be ON, if cut the power the Position will be OFF.

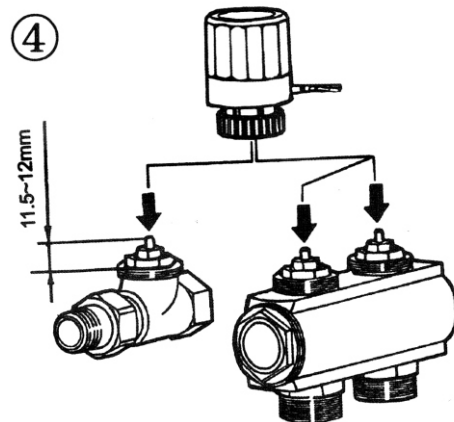
Pay attention: Open or close the valve will not have ON/OFF indication.

The product is normally close. If you want to change it to normally open , please do as follow:



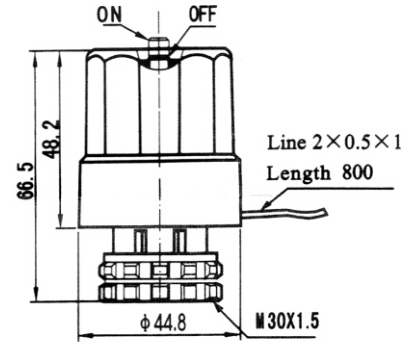
二、 DATA SHEETS

U	230V
T	< 4.5min
H	3mm
F	90~125N
P	3W
I max	150mA



Electro thermal Actuator (DF-110E)

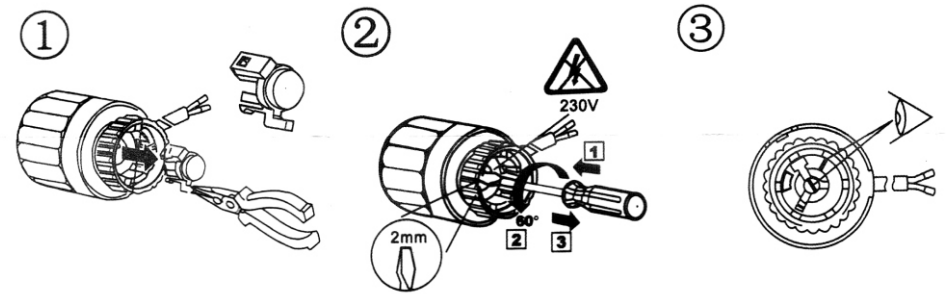
一、 Installatinon and using:



The product shown is normally close. When power are given, the position will be ON, if cut the power the Position will be OFF.

Pay attention: Open or close the valve will not have ON/OFF indication.

The product is normally close. If you want to change it to normally open , please do as follow:



二、 DATA SHEETS

U	230V
T	< 4.5min
H	3mm
F	90~125N
P	3W
I max	150mA

